

DANGER Risk of serious or fatal injury from electrocution, explosion, or fire. If gas line or electrical work is involved, always have work done by a utility company or qualified service professional. Turn off all gas, electrical and water connections prior to performing any work. Shut off all power at the fuse breaker box. Use a circuit tester to ensure power is off.

PELIGRO Riesgo de lesiones graves o mortales por electrocución, explosión o incendio. Si hay una línea de gas o un trabajo eléctrico involucrado, siempre haga que el trabajo lo realice una empresa de servicios públicos o un profesional de servicio calificado. Cierre todas las conexiones de gas, eléctricas y de agua antes de realizar cualquier trabajo. Apague toda la energía en la caja de interruptores de fusibles. Utilice un comprobador de circuitos para asegurarse de que la energía esté apagada.

WARNING Read Installation Guide thoroughly before use and always follow all safety precautions and warnings. Improper installation can cause serious injury. Always follow assembly instructions and keep for future reference. Use Personal Protective Equipment (PPE) including ANSI Z87.1 safety goggles and work gloves with slip resistant coating.

ADVERTENCIA Lea la Guía de instalación detenidamente antes de usar y siga siempre todas las precauciones y advertencias de seguridad. Una instalación incorrecta puede provocar lesiones graves. Siga siempre las instrucciones de montaje y consérvelas para futuras consultas. Utilice equipo de protección personal (EPP), incluyendo gafas de seguridad ANSI Z87.1 y guantes de trabajo con revestimiento antideslizante.

WARNING To reduce risk of serious injury from fall or strain hazard, always use two (2) or more people for installation. Never attempt installation without assistance.

ADVERTENCIA Para reducir el riesgo de lesiones graves por caídas o distensiones, utilice siempre dos (2) o más personas para la instalación. Nunca intente realizar la instalación sin ayuda.

STUDS Secure to wall with #10 x 2 1/2" washer head screws at stud location in at least four (4) places with four (4) installation screws. Always make sure screws are driven to back panel and go fully into the stud at least 1". Always secure into a stud location if one is available. If no stud location is available, always consult with an installation professional to identify and obtain proper fasteners. **ONLY ATTACH CABINETS TO CENTER OF WALL STUDS.**

MONTANTES Fíjelos a la pared con tornillos de cabeza de arandela n.º 10 x 2 1/2" en la ubicación del montante en al menos cuatro (4) lugares con cuatro (4) tornillos de instalación. Asegúrese siempre de que los tornillos estén alineados con el panel posterior y entren completamente en el montante al menos 1". Asegure siempre en un lugar con montantes si hay uno disponible. Si no hay una ubicación disponible para los montantes, consulte siempre con un profesional de instalación para identificar y obtener los sujetadores adecuados.

WARNING To reduce the risk of serious injury from collapse/fall hazard, if installing cabinetry to material other than drywall or wood stud construction, always consult an installation professional to identify and obtain proper fasteners.

ADVERTENCIA Para reducir el riesgo de lesiones graves por colapso o caída, si instala gabinetes en materiales que no sean paneles de yeso o montantes de madera, siempre consulte a un profesional de instalación para identificar y obtener los sujetadores adecuados.

WARNING To reduce risk of serious injury from a falling cabinet, wall cabinets greater than 12" in depth always require attachment on three (3) sides. This can be achieved by mounting supports into a ceiling, bulkhead, side wall(s), or adjacent cabinet(s). When this is not possible, additional support must be installed above or below the cabinet to support the weight of the cabinet.

ADVERTENCIA Para reducir el riesgo de lesiones graves por la caída de un gabinete, los gabinetes de pared de más de 12" de profundidad siempre requieren fijación en tres (3) lados. Esto se puede lograr montando soportes en un techo, techo rebajado, paredes laterales o gabinetes adyacentes. Cuando esto no sea posible, siempre debe haber soporte adicional encima o debajo del gabinete para soportar el peso en la parte frontal del gabinete.

WARNING To reduce the risk of serious injury from falling cabinet, when wall cabinets are installed as a single stand-alone cabinet, always use additional bracing (or) fastening either above or below the cabinet to support the weight of the cabinet. Always consult a professional for appropriate installation methods.

ADVERTENCIA Para reducir el riesgo de lesiones graves por caída del gabinete, cuando los gabinetes de pared se instalan como un solo gabinete independiente, utilice siempre soportes (o) fijaciones adicionales por encima o por debajo del gabinete para soportar el peso del mismo. Consulte siempre a un profesional para obtener los métodos de instalación adecuados.

WARNING This product can expose you to chemicals including formaldehyde which is known to the State of California to cause cancer, and methanol, which is known to the State of California to cause birth defects or other reproductive harm. For more information go to www.P65Warnings.ca.gov.

ADVERTENCIA Este producto puede exponerte a sustancias químicas incluyendo formaldehído, que se considera en el estado de California como causante de cáncer y metanol, que se considera en el estado de California como causante de enfermedades congénitas y otros daños al sistema reproductor, visite www.P65Warnings.ca.gov.

THIS INSTALLATION GUIDE APPLIES TO ONLY WOOD STUD CONSTRUCTION. IF YOU ARE SECURING CABINETS TO ANOTHER MATERIAL, CONSULT AN INSTALLATION PROFESSIONAL TO IDENTIFY THE PROPER FASTENERS. NEVER USE NAILS OR DRYWALL SCREWS TO INSTALL CABINETS BECAUSE DOING SO MAY DAMAGE CABINETS OR FAIL TO PROPERLY SECURE THEM WHICH MAY RESULT IN DEATH OR SERIOUS INJURY.

THE REQUIREMENT FOR ALL APPLIANCE INSTALLATIONS IS TO FOLLOW THE APPLIANCE MANUFACTURER'S SPECIFICATIONS FOR ADEQUATE CLEARANCE AND REQUIRED INSTALLATION MATERIALS.

HAMPTON BAY DESIGNER SERIES (HBDS) MAKES NO CLAIMS OF COMPATIBILITY BETWEEN ANY APPLIANCE AND HBDS PRODUCT(S).

INSTALLATION INSTRUCTIONS – LIABILITY DISCLAIMER

When you use these instructions, you are consenting to be bound by the provisions in this paragraph. These instructions provide an illustrative method for installing Hampton Bay Designer Series (“HBDS”) cabinets. HBDS’s instructions are not intended to address every possible contingency that might be encountered during installation or to endorse the use of any particular tools.

DISCLAIMER

HBDS HAS DILIGENTLY TRIED TO ILLUSTRATE AND DESCRIBE THE INSTALLATION OF THE PRODUCTS IN THIS LITERATURE CLEARLY AND ACCURATELY; HOWEVER, SUCH ILLUSTRATIONS AND DESCRIPTIONS DO NOT EXPRESS OR IMPLY A WARRANTY OF ANY KIND, INCLUDING BUT NOT LIMITED TO ANY WARRANTY THAT THE PURCHASER WILL BE ABLE TO OBTAIN A PARTICULAR RESULT, OR THAT THE PRODUCTS OR INSTRUCTIONS ARE MERCHANTABLE, OR FIT FOR A PARTICULAR PURPOSE, OR THAT THE INSTALLED PRODUCTS WILL NECESSARILY CONFORM TO THE ILLUSTRATIONS OR DESCRIPTIONS OR DIMENSIONS. THESE INSTRUCTIONS DO NOT ENLARGE OR OTHERWISE MODIFY THE LIMITED WARRANTY RECEIVED WHEN YOU PURCHASED YOUR CABINETS, IF ANY. HBDS HEREBY EXPRESSLY DISCLAIMS ALL WARRANTIES AND ALL LIABILITY FOR ANY CLAIMS FOR INJURY OR DEATH RELATED TO OR BASED UPON THE USE OF THESE INSTALLATION INSTRUCTIONS AND ANY INSTALLATION INSTRUCTIONS OTHERWISE PROVIDED BY HBDS. HBDS IS NOT RESPONSIBLE FOR ANY INACCURACIES, OMISSIONS OR TYPOS IN THIS GUIDE.

IMPORTANT: To reduce the risk of serious or fatal injury, read and understand this entire guide before beginning any installation.

The instructions given here serve as a general guideline on how to install frameless cabinets in a reasonably simple installation. Many cabinet designs and installations may be far more complex and beyond the scope of these instructions and require a professional installer.

- **Tools Required**
- **Layout and Planning the Installation**
- **Cabinet Installation Order**
- **Installing Cabinets Level**
- **Fastening Cabinets to the Wall**
- **Fastening Cabinets Together**
- **Installing Fillers**
- **Installing Trim**
- **Installing Light Rail**
- **Adjusting Doors and Drawers**
- **Cleaning & Care**
- **Touch-Up & Repair**



TOOLS REQUIRED

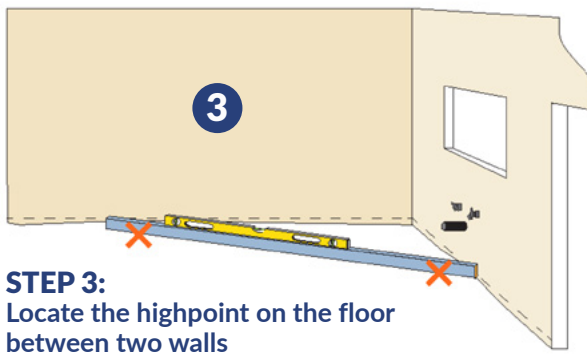
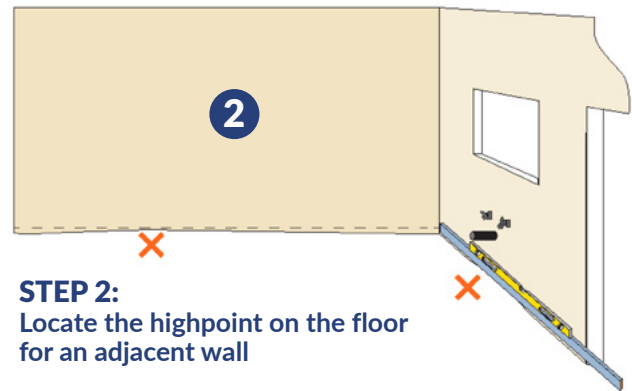
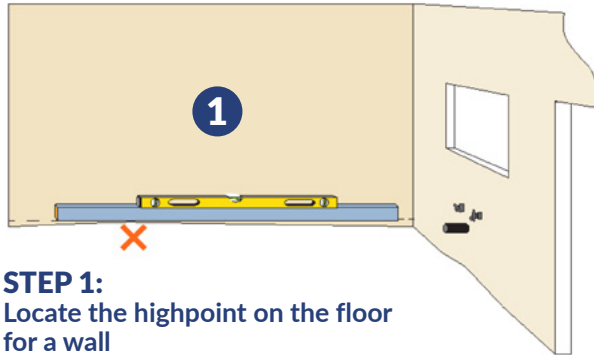
- | | | |
|-----------------------------|---------------------------|---------------------------------|
| ● Tape Measure | ● Hammer | ● Pry Bar |
| ● Pencil | ● Wood Shims | ● Carpenter's Square |
| ● 3 to 4 foot Level | ● Phillips Head Screw Gun | ● Clamps |
| ● 3/16" Drill Bit | ● Handsaw | ● NOTE: If "C" clamps are used, |
| ● Phillips Head Screwdriver | ● Chalk Line | protect material between |
| ● #2 Square Drive Bit | ● Step Ladder | finished case of the cabinet |
| ● Electric Drill | ● Extension Cord | and the clamp. |

Additional tools that make the job easier:

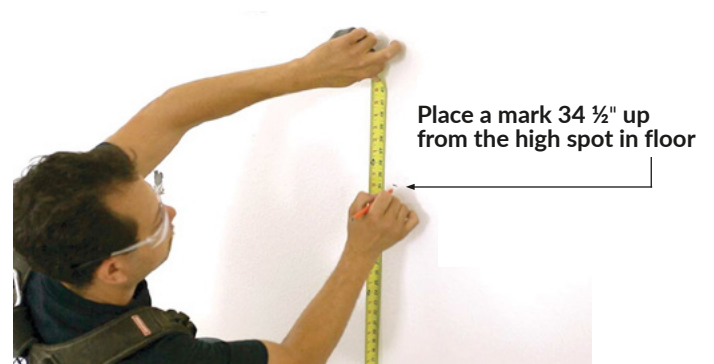
- Small Table Saw
- Power Miter Saw
- Laser Level
- Stud Finder

LAYOUT AND PLANNING THE INSTALLATION

1. Take inventory of the cabinets as per the plan or order.
2. Find the high spot in the floor using a level as shown below.



3. Measure up the wall $34\frac{1}{2}$ " above the high spot and draw a level line anywhere that base cabinets will be installed (this means that this line will measure greater than $34\frac{1}{2}$ " above the floor in most places along the wall).
4. Find and mark the studs. This can be done by trial and error of driving a nail in the wall until you find a stud or use an electronic stud finder. Studs will usually be every 16" center to center.
5. It is best when installing a larger kitchen to mark the cabinet positions and code (size) on the wall. Better to find out now if things aren't going to fit just right than after you've installed several cabinets.



6. Unbox the cabinets and be cautious not to drag them across the floor. Save some cardboard to rest the cabinets on to prevent damage to the cabinets and the floor.



7. Remove all doors, drawers and shelves, being careful to mark them so that they go back on correct cabinets. Removing the doors can be done without tools as the hinges are “clip-on”.

Removing Dovetail Drawers



1. Pull the drawer out until it stops.
2. Reach under the drawer box on both sides just behind the drawer front.
3. Pull the clips, holding both simultaneously, while lifting up on the drawer box.
4. Slide the drawer out.

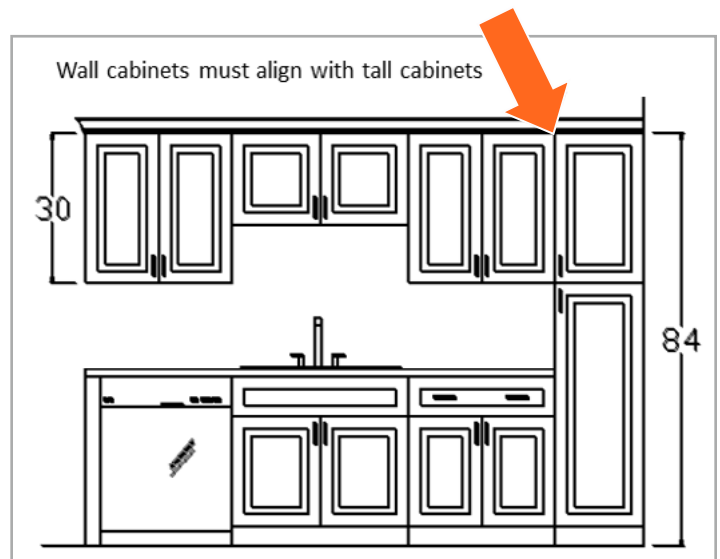
Removing Doors



Press in on plunger located on the back of the hinge (1) while pressing in on hinge (2) to release it from the mount plate.

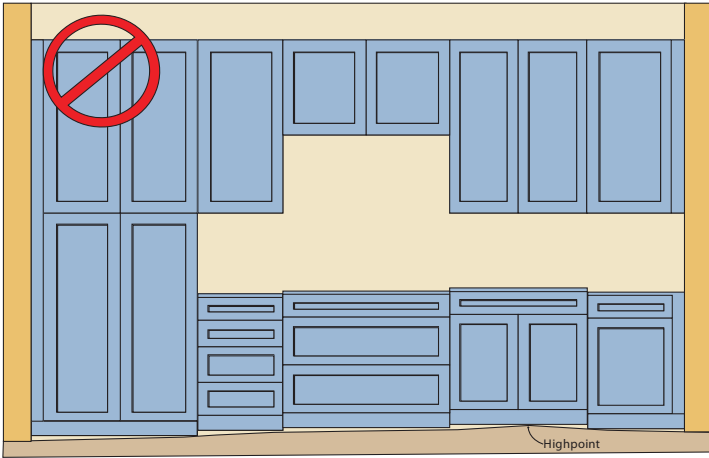
CABINET INSTALLATION ORDER

Determining the installation order of the cabinets depends on the plan. As a general rule, it is better to start with wall cabinets in the corner and work out. However, if you have “tall” cabinets, like a pantry or oven cabinet in the plan, it is critical to make sure that the tall cabinet is used to determine the top alignment of wall cabinets.

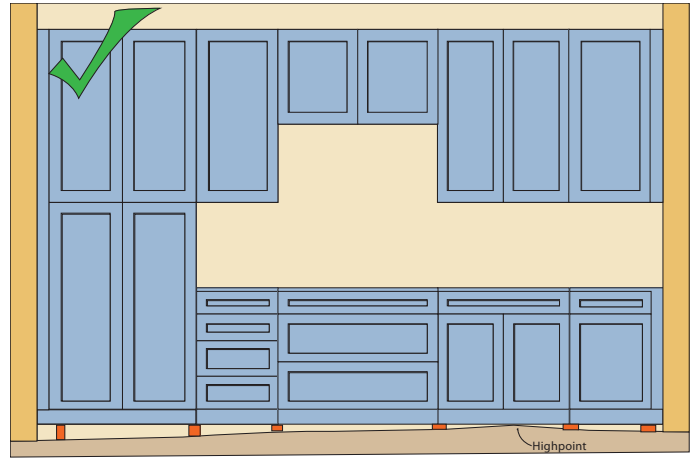


INSTALLING CABINETS LEVEL

1. Nearly every floor, in any house, will *not* be level and flat. The illustrations below show an exaggerated view of why leveling cabinets to the high point in the floor is critical.



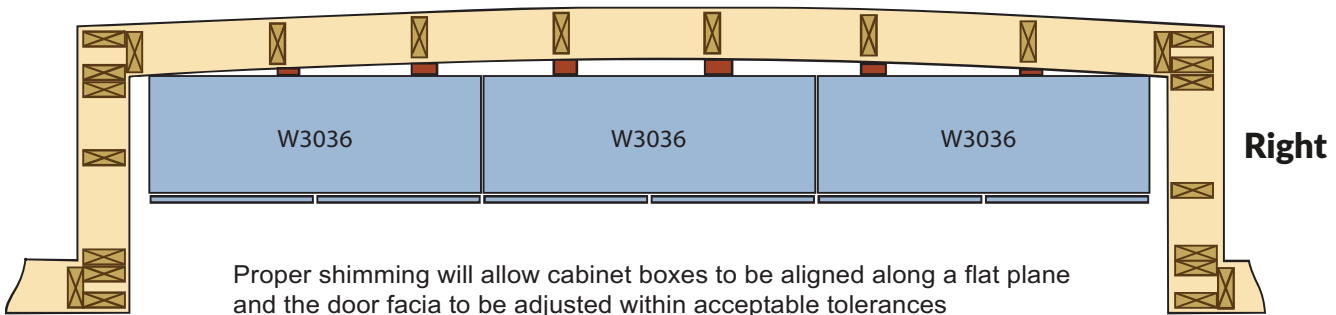
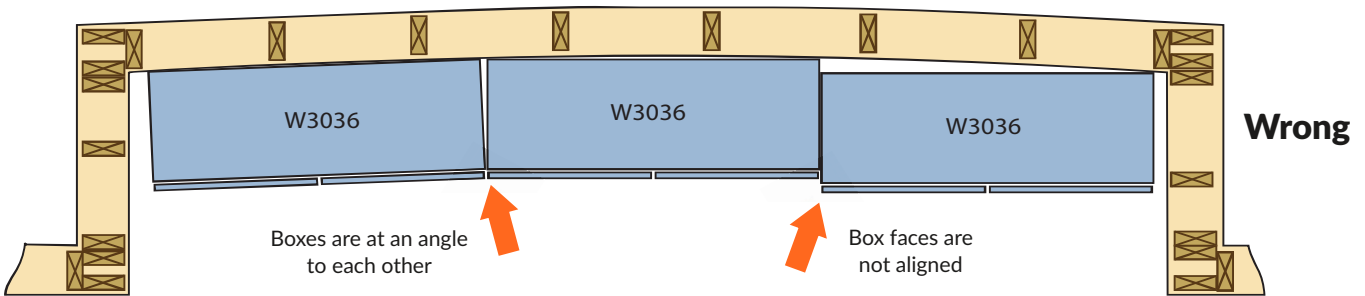
Wrong



Right

2. Cabinets should be shimmed up from the floor level to the 34 ½" line with wood or composite shims.
3. Cabinets should also be shimmed out from the wall to maintain a straight line. Failure to shim a cabinet properly in bowed or wavy wall conditions can cause the cabinets to be pulled out of plumb and level, which can prevent accurate door and drawer alignments.

CORRECTING FOR A "BOWED IN" OR "BELLIED" WALL CONDITION

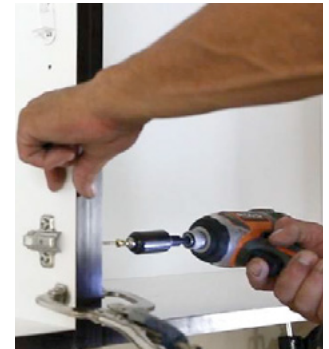
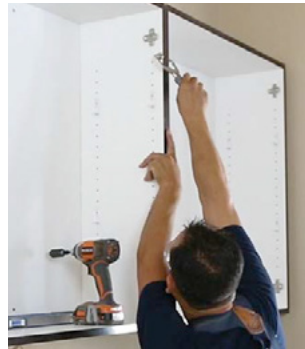
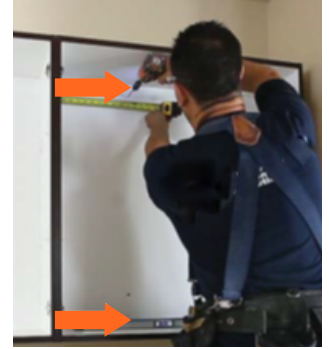


FASTENING CABINETS TO THE WALL

1. Screw wall cabinets and tall cabinets to the predetermined height through the back panel into a stud. Also make sure you maintain 1" between the cabinet side panel and attachment screws when possible. This will help prevent separating side panel from back panel should there be a significant low spot in the wall.

Make sure to place screws 1" below the top and 1" above the bottom. Measure and mark the stud location on the cabinet before drilling. Use #10 x 2-1/2" washer head screws when fastening through a single layer of drywall into wood studs.

2. Place a screw at the top of the cabinet and the bottom of a cabinet in as many studs as can be located in the cabinet width.

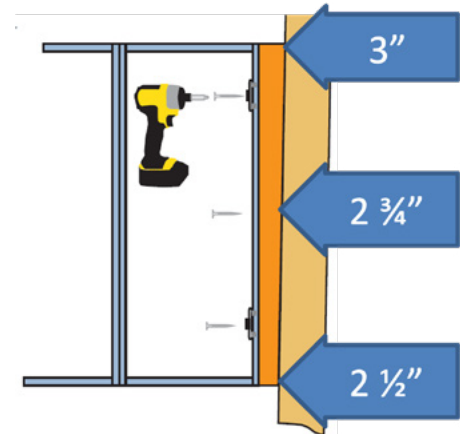


FASTENING CABINETS TOGETHER

1. Align cabinet frames together carefully.
2. Cabinet cases can be clamped together using various kinds of clamps, however use caution with any kind of steel clamp to not damage the surface material of the cabinet.
3. Screw cabinets together with #7 x 1-1/8" flat head screws.

INSTALLING FILLERS

1. Cabinets come in 3" increments in width, therefore fillers will be required when cabinets are to fit between walls.
2. Measure the space between the wall and the cabinet at the top, middle and bottom. If the dimensions are close to the same you can rip (saw) the filler in a straight line to the proper width to fit.
3. Next, predrill holes for 1 ¼" screws and screw the fillers from the inside of the cabinet.
4. In a case where the wall is not plumb, the filler will have to be cut to fit to the uneven wall.



WARNING

To reduce risk of serious injury from cabinet collapsing/falling:

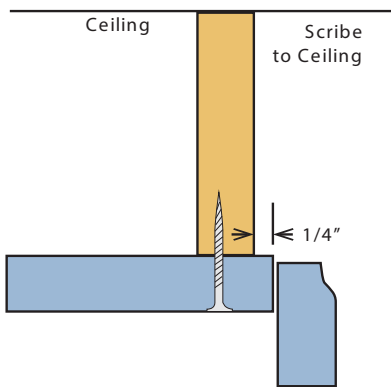
- Never overtighten screws. Overtightening can damage cabinet back panel.
- Never countersink heads into the back panel.
- Use proper screws and screw placement to attach cabinets to the wall. Only use screws listed in this Guide for installations with drywall or wood construction. Never use these screws for installation with concrete, brick, or other material.
- To reduce the risk of death, serious personal injury, or property damage, avoid any contact with plumbing, wiring or gas lines. These lines are often in the walls and under the floor. Great care should be taken while installing cabinets not to damage these lines when securing the cabinets to the walls.

INSTALLING TRIM

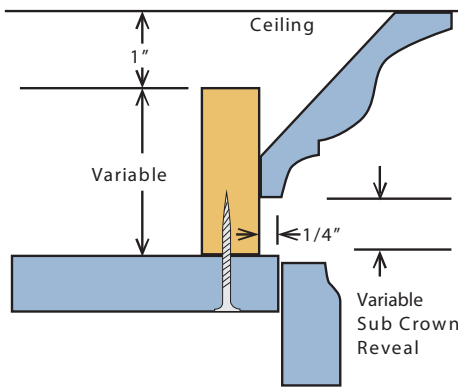
1. Installing crown molding can be accomplished in a variety of ways depending on the application. Using “frameless cabinets” means that a *sub-crown* molding will always have to be screwed to the top of the cabinet case to attach the crown molding to.



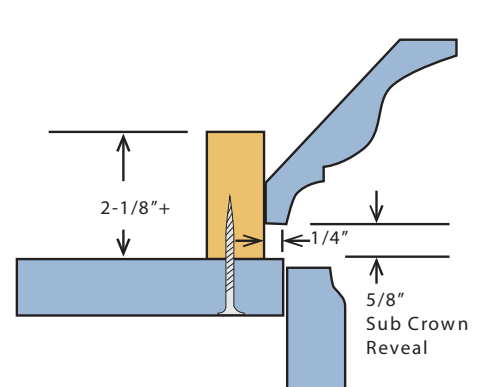
Filler by Itself as Top Scribe



Filler as Sub Crown - Crown Spans to Ceiling

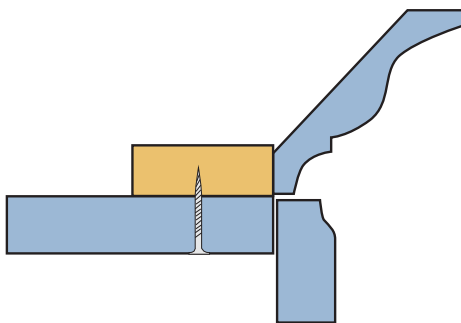


Filler as Sub Crown

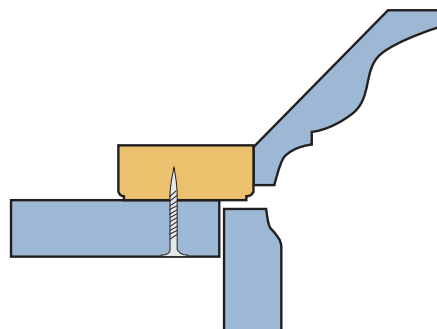


Alternate Configurations:

Filler as Sub Crown



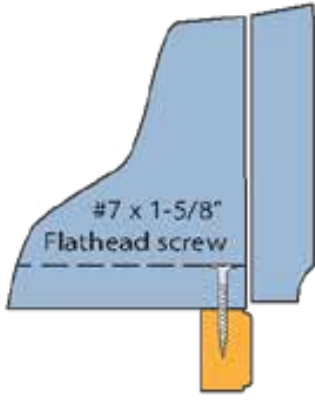
AMLR1 as Sub Crown



INSTALLING LIGHT RAIL

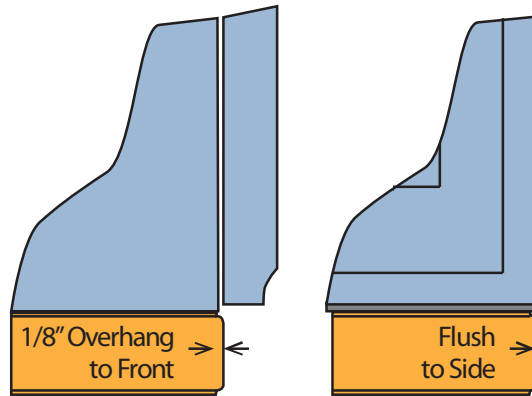
In the same way, installing light rail will have to be screwed to the bottom of the case.

Light Rail Screw Placement



AMLR1
Light Rail

Light Rail Placement Examples - AMLR1

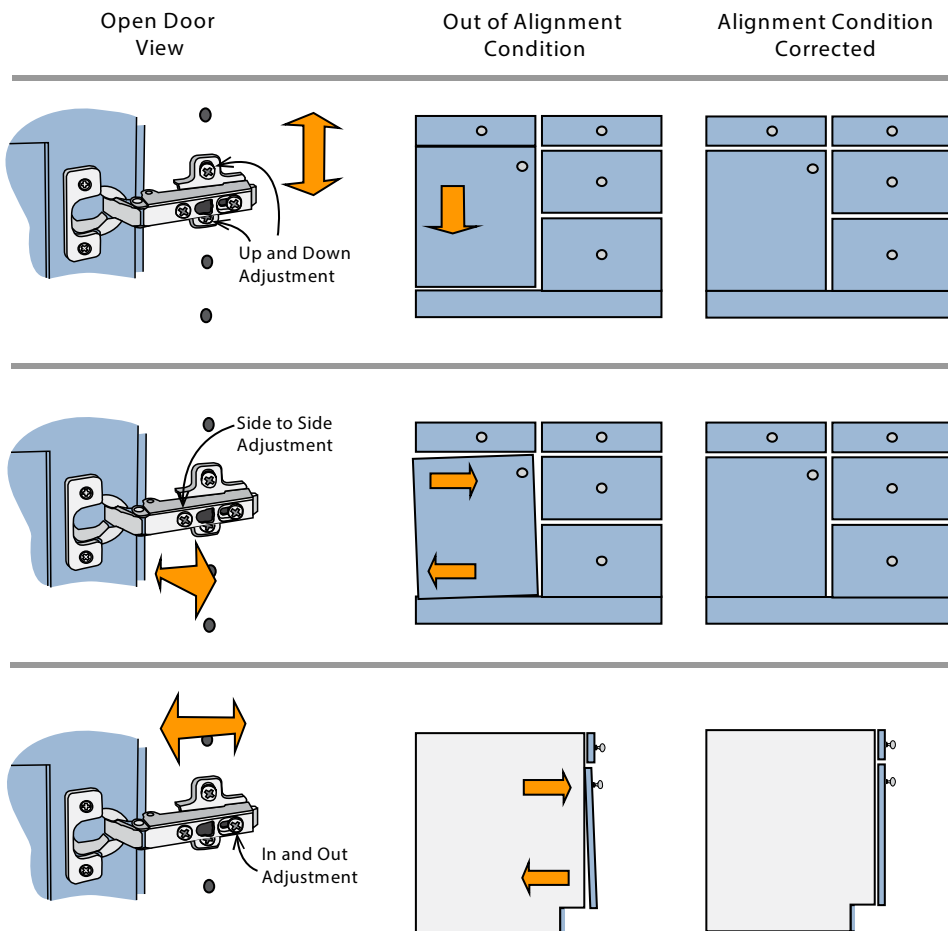


Side View

Front View

ADJUSTING DOORS AND DRAWERS

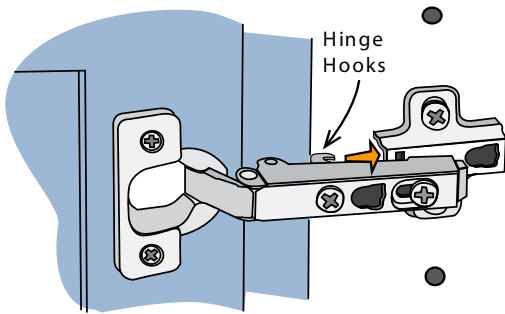
Hinge Adjustment



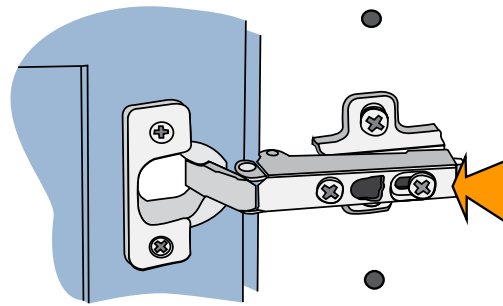
ADJUSTING DOORS AND DRAWERS (CONTINUED)

Hinge Reinstallation

Align and Insert the Hinge Hooks into the Front of the Mounting Plate



Push the Back of the Hinge into the Plate Until it Clicks



Dovetail Drawer Adjustment

To adjust the dovetail drawer for alignment, roll the orange adjustment wheel on the underside of the drawer.

To raise the drawer, roll the orange adjustment wheel(s) to the left. To lower it, roll them to the right.



CLEANING & CARE

Dust cabinets frequently with a soft, lint-free cloth. Dampen the cloth slightly to remove dust. Clean up spills immediately using a clean, damp cloth if necessary. Wipe dry with another clean soft cloth. Cloth is better than paper towels for this purpose. Do not let liquids stay on the surface for a long period of time. Although the surface is water-resistant, it is not waterproof.

Wood Doors

Wood doors can be cleaned with most general-purpose household cleaners and polished with most furniture care products that do not contain wax, petroleum solvents or silicone. We suggest using a mild soap with a damp cloth to remove any grease buildup from cabinets. Any product used should be applied and then quickly and completely removed with a damp cloth. Dry the cabinetry completely after cleaning as excess moisture can be damaging to any fine wood finish. In addition, do not drape wet or damp cloths over the edge of doors. Don't use detergents, oven cleaners, soap pads, steel wool or any other type of abrasive pad or scrubber on your cabinetry. These products will mar the wood finish. We also suggest not using citrus oils, paste wax or polishes that contain silicone because they leave a residue that is sometimes difficult to remove and attracts dust. Finally, do not use solvents such as ammonia, bleach, acetone, lacquer thinner or cleaners such as Goof Off or WD40, all of which may damage or dissolve some or all of the finish.

Thermofoil Doors

Thermofoil (RTF) doors can be wiped with a damp cloth. Tough stains may be cleaned using a soft cloth dampened with a mild soap or cleanser and fine soft scrub pads can be used without risk of damage. Please see Heat & Humidity below. Thermofoil doors are subject to damage from heat exceeding 160 degrees.

Glass Doors

Clean cabinet glass doors carefully. Do not spray glass cleaner directly onto glass. Some glass cleaners can damage wood finishes and the protective finishes on many brass handles or other hardware. Instead, spray a small amount of cleaner onto a lint-free cloth or paper towel, then wipe the glass.

Laminate Interiors

You can clean all laminate exterior and interior surfaces of the door by using a damp, soft cloth. Do not use excessive amounts of water; it will seep into the seams of the cabinet. To further protect shelves, cabinet bottoms or drawer bottoms from wear, use commonly available shelf liner products. Sink base cabinets are the most common cabinet to have water damage and can usually be protected with a plastic liner or pan.

Preventing Heat or Humidity Damage

Various cooking ovens, ranges, cook tops, cooking pots, toasters and other small appliances produce a lot of heat or humidity. It is very important to make sure these products are positioned so rising heat is not trapped or confined in or near cabinetry, otherwise, you risk damage to cabinets or moldings that is not covered under the warranty. In addition, if higher temperature settings are used for extended periods of time, the radiant heat may be excessive and the doors and drawer fronts should be shielded or removed. This is particularly important on Thermofoil doors, which cannot be exposed to extended temperatures beyond 160 degrees without risking permanent damage. Installation of a Heat Shield is recommended for Thermofoil cabinets.

Sunlight and Aging

Over time, exposure to sunlight, smoke and chemicals may cause some materials to fade or vary from their original color. Cabinets or accessories added at a later date may not match cabinets previously installed. For the same reason, door samples on displays may not represent the exact color of cabinets received at the time of shipment.

TOUCH-UP & REPAIR

To touch up scratches and nicks that may occur during the installation process or during the life of your cabinets, we recommend purchasing a touch-up Pen and fill stick. The touch-up pen and fill stick are matched to the finish of your cabinetry and created especially for do-it-yourself repairs.

Use the touch-up pen on surface scratches, scuffs or rubbed edges. Simply shake the pen; remove cap and press down on the tip until the felt is wet. You may find it easier to test this on paper or cardboard first. Apply color touch-up with light strokes and use a cloth to immediately wipe off any excess. Allow it to dry for several minutes.

The fill stick is the tool of choice for chips, dents, deep scratches or open joints. Simply rub across the affected area until it is filled and wipe off the excess with a dry cloth. The touch-up fill stick will fill small holes, chips, dents or open joints. Keep the touch up pen and fill stick out of the reach of children and pets. These extra steps will ensure that your hard work looks its best and will help your cabinetry look great for years to come.

LIMITED LIFETIME WARRANTY

This warranty covers defects in materials and workmanship in your Hampton Bay Designer Series Kitchen products under normal home use. This warranty is offered only to the original residential consumer purchaser ("the Consumer") and may not be transferred.

WHAT THIS WARRANTY COVERS: American Woodmark Corporation ("AWC"), the manufacturer of these Hampton Bay Designer Series products, warrants its parts and products to be free of defects in materials and workmanship from the original date of purchase under normal home use. This warranty is offered to the original residential consumer purchaser only and may not be transferred.

HOW LONG THE WARRANTY LASTS: The coverage of this warranty lasts for the lifetime of the original purchaser, so long as he or she owns the home in which the product was first installed.

WARRANTOR:

American Woodmark Corporation
561 Shady Elm Road
Winchester, VA 22602
(800) 230-5661
HamptonBayKitchens.com

WHAT AMERICAN WOODMARK WILL DO UNDER THE WARRANTY: During the warranty period, AWC, at its option, will repair or replace any part or product that proves to have substantial defects in materials or workmanship, or AWC will provide an equivalent replacement product, at no cost to the Consumer. AWC reserves the right to change specifications in design and materials without notice and with no obligation to retrofit products we previously manufactured.

DUTIES OF THE CONSUMER: If you purchased Hampton Bay Designer Series cabinetry and need a replacement part or would like to file a warranty claim, IMMEDIATELY NOTIFY AWC BY E-MAIL (HBDesignerseries_CC@woodmark.com) OR TELEPHONE (800-230-5661) OF THE ISSUE. You must provide a copy of the original sales receipt from your purchase.

HAND CARVING, WOOD, AGING AND PRINTING LIMITATIONS: Because of the varying natural characteristics of wood and the effects of aging, product shown in displays and/or printed materials will not be an exact match to new cabinetry you will receive. Depending on the wood characteristics, the age of a sample and the environment of the showroom, samples will show some degree of variation from new product. In addition, you should not expect all doors, drawer fronts, trim or molding to match exactly in either finish or grain. Variation in wood is normal and unavoidable. In addition, it is not possible to match our colors exactly in printed materials. Therefore, you should view the actual samples when making your color selection. Slight variation in size and design is also characteristic of individually hand-carved items. This variation can occur from carving to carving, which only adds to their uniqueness and beauty.

LIMITATIONS AND EXCLUSIONS: This warranty does not cover defects or damage which result from commercial use, improper transportation, improper installation, use of unauthorized parts, mishandling, misuse, abuse, neglect, abnormal use, improper maintenance, non-AWC repairs, accidents, impact, or acts of God, such as hurricanes, fire, earthquakes or floods, normal wear and tear, alterations, environmental conditions, humidity absorption, or mold. This warranty, and any applicable implied warranties, does not cover incidental or consequential damages arising from any defects in the product, such as labor charges for installation or removal of the product or any associated products. In addition, variations in hand carved items, wood grain, finish color, aging or other natural wood and stain characteristics are not considered defects and are not covered by this warranty.

DISCLAIMERS AND RIGHTS: AWC disclaims any implied warranty of merchantability, and there are no express warranties other than those set forth herein. ANY WARRANTY IMPLIED BY STATE LAW (WHETHER OF MERCHANTABILITY OR FITNESS FOR A PARTICULAR USE OR OTHERWISE) SHALL BE EFFECTIVE FOR ANY PRODUCT ONLY FOR THE DURATION OF THE APPLICABLE LIMITED WARRANTY PERIOD LISTED ABOVE. SOME STATES DO NOT ALLOW THE EXCLUSION OR LIMITATION OF INCIDENTAL OR CONSEQUENTIAL DAMAGES, SO THE ABOVE LIMITATION OR EXCLUSION MAY NOT APPLY TO YOU. THIS WARRANTY GIVES YOU SPECIFIC LEGAL RIGHTS, AND YOU MAY ALSO HAVE OTHER RIGHTS THAT VARY FROM STATE TO STATE.